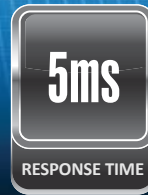


LED

FULL HD 1080p

ECONOMY LED MONITOR



23REDE

BUILT TO RUN 24 X 7 X 365 CONTINUOUSLY

OVERVIEW

The ORION LCD w/ LED BLU (backlight unit) high brightness displays are a truly professional experience in next generation technology using eco-friendly material (no mercury or halogen). This technology exceeds the NTSC color gamut standard of 100% with the LED BLU at 123% to provide a wider range of colours than ever before - you will see colors on screen as you see them in real world.

FEATURES

- 1920 x 1080p Full HD Display Resolution
- BNC Video 2 In / 2 Out, S-Video 1 In, HDMI 1 In / VGA 1 In, PC Stereo 1 In
- LED BLU (Back Light Unit) Display Monitor
- 5ms Response, 250 NITS, 1000:1 Contrast Ratio
- Auto Color Balance Function
- Mount Options: Wall, Ceiling



SPECIFICATIONS

23REDE	
Display	
Screen Size	23 Inch
Max. Resolution	1920 x 1080 @ 60Hz
Pixel Pitch	0.265 x 0.265mm
Brightness	250cd/m ²
Contrast Ratio	1000 : 1
Aspect Ratio	16 : 9
Viewing Angle (H/V)	170° / 160°
Display Color	16.7 Million
Response Time	< 5ms
Video System	NTSC / PAL
Interface	
Video In / Out (BNC Type)	2 In / 2 Out
HDMI In	1 In
S-Video In / Out	1 In
VGA In (15Pin D-Sub)	1 In
Audio In (RCA Type)	1 In
PC Stereo In	1 In
Transmitter	
Remote Control	Yes
Audio	
Built-in Speakers	Yes (1W x 2)
Features	
Filter Type	3D Motion Adaptive De-Interlace
Auto Source Sequencing	Yes
Multi Language	English, Dutch, Spanish, French, Korean
General	
Outline Dimension (W x H x D)	22.83" x 16.14" x 6.70"
Net Weight	4.99Kg (11.02 lbs)
Material / Color	ABS Plastic / Black
Desk Top Stand	Tilt Back
Part / Labor	3year / 3year
Consumption: < On	< 35W
	AC100 ~ 240V(50/60Hz)
Electrical Ratings	DC12V / 3.5A
Operating Temperature	0° ~ 40° C / 32° ~ 104° F
Storage Temperature	-20° ~ 60° C / -4° ~ 140° F
Mounts	
VESA™ Mount Size	100 x 100mm
Wall	WB-5, WB-10, WB-30, WB-31
Ceiling	CMK-01

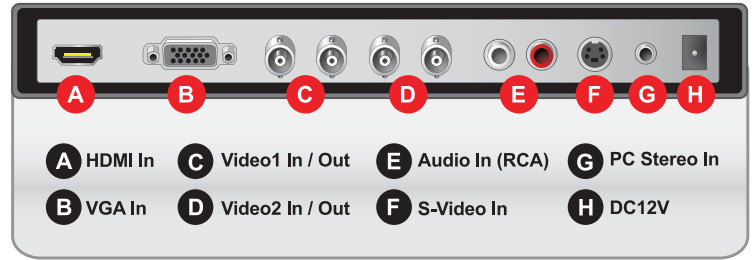
*Design and specifications are subject to change without notice

TILT CAPABILITY

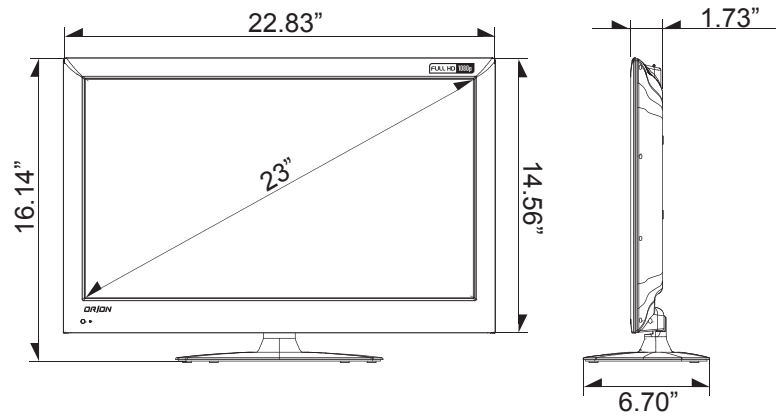
REDE series has flexible tiltable desktop stand capability



INPUT INTERFACE



DIMENSIONS



OPTIONAL MOUNTS

